



5.1GHz - 5.9 GHz 15dBi High Gain & Wide Band Omni-Directional Antenna

APPLICATIONS AND FEATURES

Applications:

- 5.1 – 5.9 GHz ISM Band
- 5.3 GHz Band Applications
- 5.4 GHz Band Applications
- 5.8GHz UNII applications
- IEEE 802.11a Wireless LAN
- Unlicensed European 5.4 GHz Band Applications
- WiMAX Technology
- 5.8 GHz Wireless Video Systems

Features :

- Superior performance
- Light weight
- All weather operation
- DC Short lightning protection
- Installed for vertical
- Includes tilt and swivel mast mount
- Frequency Ultra-wide
- Can be installed for either vertical or horizontal polarization
- RoHS Compliant



SPECIFICATIONS:

Electrical Specifications

| | |
|----------------------|-----------------|
| Frequency Range | 5100 – 5900 MHz |
| V.S.W.R | 1.5 |
| Return Loss | -15db |
| Antenna Type | Collinea |
| Gain | 15dBi |
| Polarization | Vertical |
| Maximum Power | 50W |
| Vertical Beam-with | 7 Deg |
| Horizontal Beam-with | 360 Deg |
| Impedance | 50 Ohm |
| Connector | N-Female |

The OA-515915 belongs to Omni-Directional antennas, can be used in an outdoors type a base set an usage, the antenna OA-515915 usage uses in the frequency scope of the 5.1~5.9 GHz(the Wireless LAN of the IEEE 802.11a)

The antenna OA-515915 adoption aluminum pushes a type(anode inside), antenna tube adoption glass fiber manufacturing, in order to can insure the enduring of product and adapt various environment, the antenna also adopts the most convenient construction method on the gearing, making a convenience of an user to install quickly,

Mechanical Specifications

| | |
|-----------------------|------------------|
| Length | 800mm |
| Diameter | 68mm |
| Weight | 540g |
| Wind Survival | > 150 MPH |
| Radome Material | White Fiberglass |
| Operating Temperature | - 40 to + 80 |
| Clamps | U-bolt |
| Mounting | 32 – 45mm |
| RoHS Compliant | Yes |

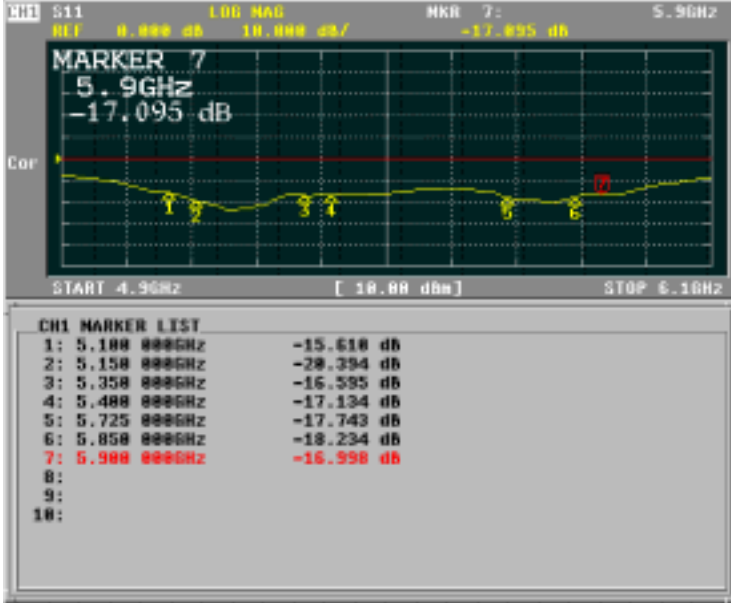
The OA-515915 guards a pass through strict process while producing construction manufacturing, at various waterproof characteristic and the radiation characteristic, pass by strict of test

The antenna includes mounting bracket and hardware for up to 2" OD masts. Made with fiberglass and comes with an integrated N Female connector.

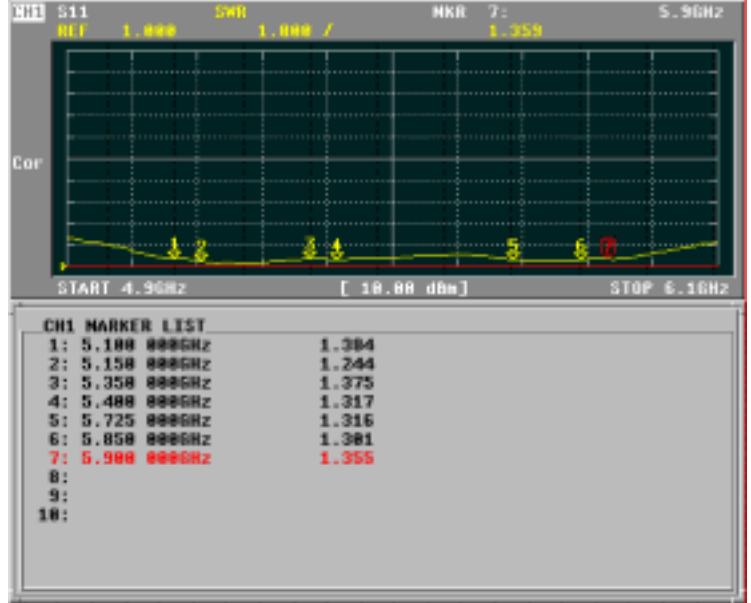
OA-515915 Test Report

5.1GHz - 5.9 GHz 15Bi High Gain & Wide Band Omni-Directional Antenna

Return loss & V.S.W.R

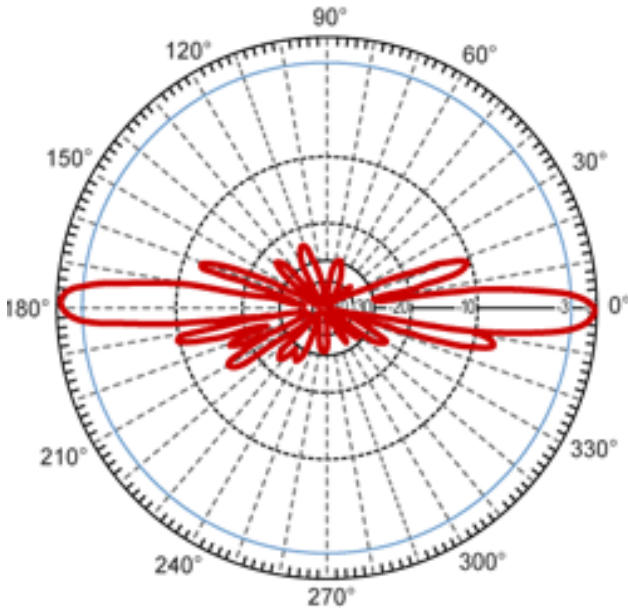


Return loss



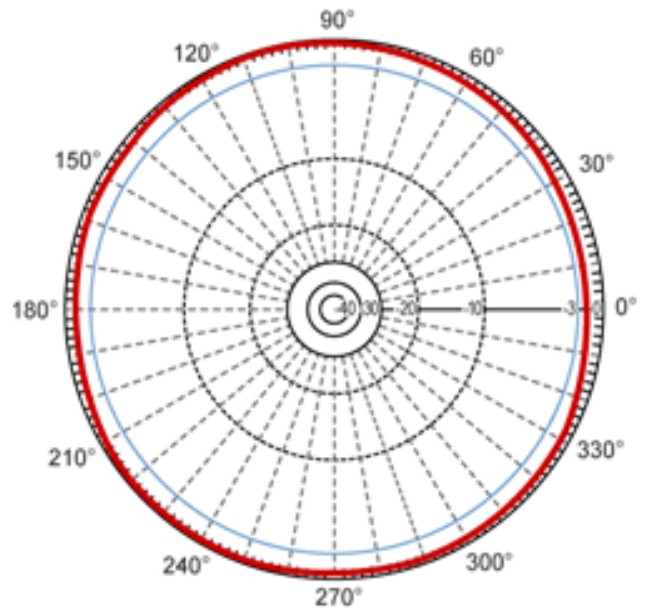
V.S.W.R

Antenna Vertical & Horizontal Pattern



Vertical

E-plane co-pol ----- 3-dB beam-with=7 Deg



Horizontal

H-plane co-pol ----- 3-dB beam-with=360 Deg

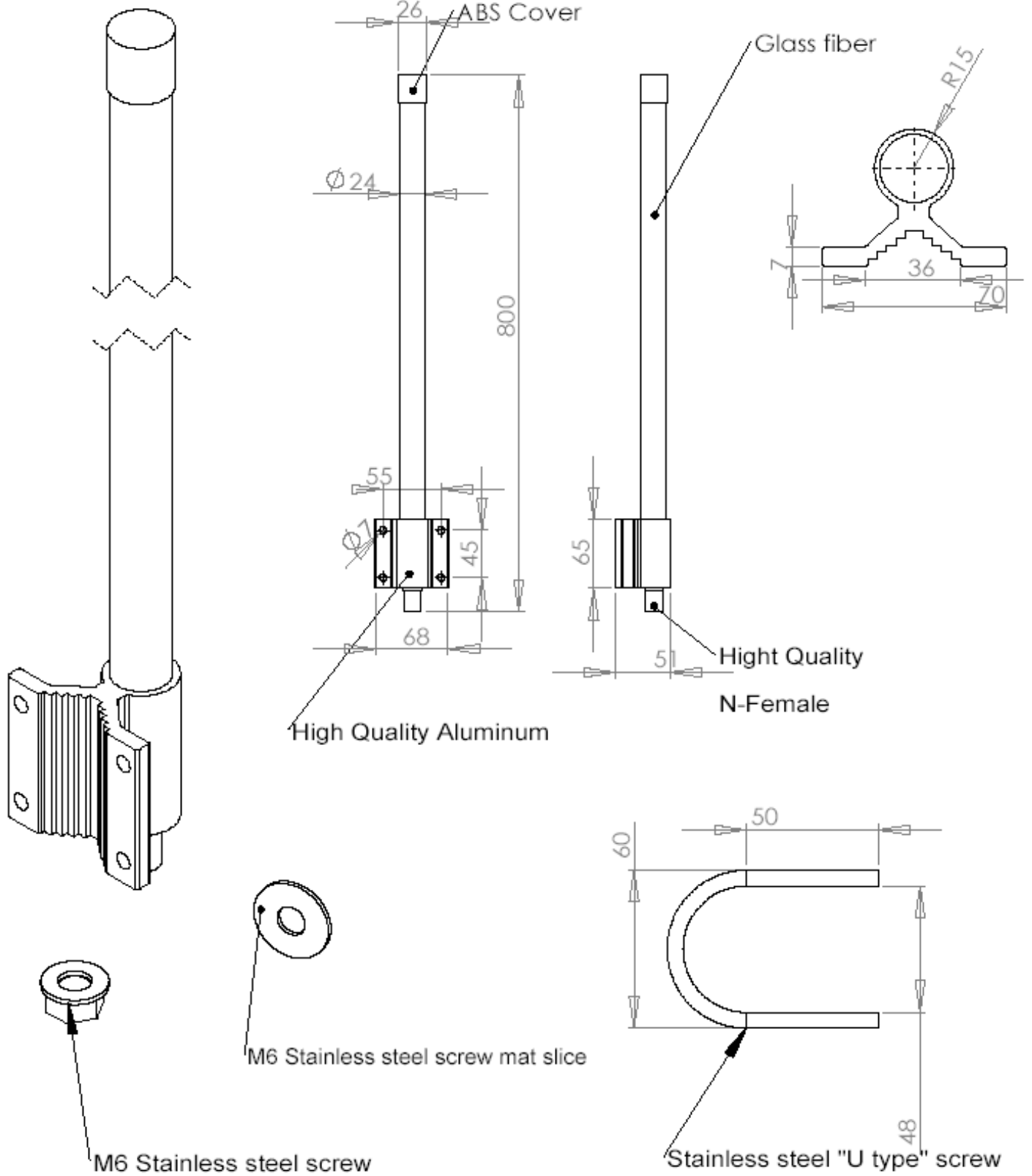


Fei Teng Wireless Technology Corp.
6F.,NO 10-10.Guangming 9st RD.,Jhubei city.
Hsinchu contry302,Taiwan

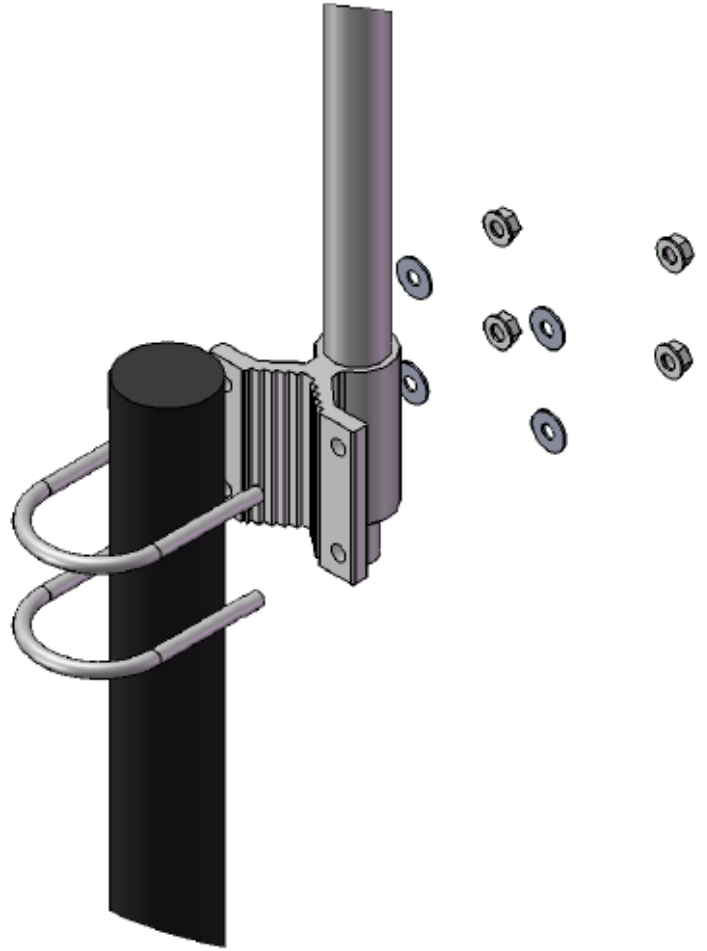
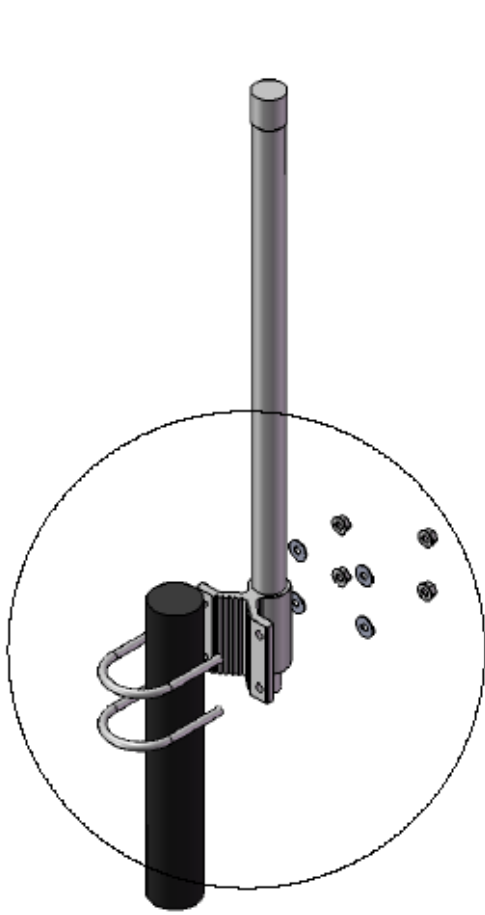
TEL:886-3-5585239
FAX:886-3-5585143
<http://www.FT-RF.com>
e-mail:ft@ft168.com.tw

OA-515915

Antenna Outward Appearance Chart



| Product name | Amount | Remarks |
|--------------------|--------|---------------------------------|
| Antenna | 1 | Glass Fiber and Aluminum |
| M6 "U" type screw | 2 | Stainless steel |
| M6 screw | 4 | Stainless steel |
| M6 Screw mat slice | 4 | Stainless steel |



2 : 5

