

3.3 - 3.8 GHz Wide Band Directional 14dBi Panel Antenna

APPLICATIONS AND FEATURES

Applications:

- 3.3-3.8 GHz ISM Band
- IEEE 802.16 Wireless LAN
- Directional and multipoint applications
- 3.3~3.6GHz or 3.6~3.8GHz Band
- SOFDMA .Mobile WiMAX
- WiMAX Technology
- Wireless Video Systems

Features :

- Superior performance
- Light weight
- All weather operation
- DC Short lightning protection
- Installed for vertical
- Includes tilt and swivel mast mount
- Frequency Ultra-wide
- Can be installed for either vertical or horizontal polarization
- RoHS Compliant



SPECIFICATIONS:

Electrical Specifications

Frequency Range	3300 – 3800 MHz
V.S.W.R	1.5
Return Loss	-12db
Antenna Type	PCB patch array
Gain	14dBi
Polarization	Vertical or Horizontal
Maximum Power	50W
Vertical Beam-with	32 °
Horizontal Beam-with	32 °
Impedance	50 Ohm
Connector	N-Female

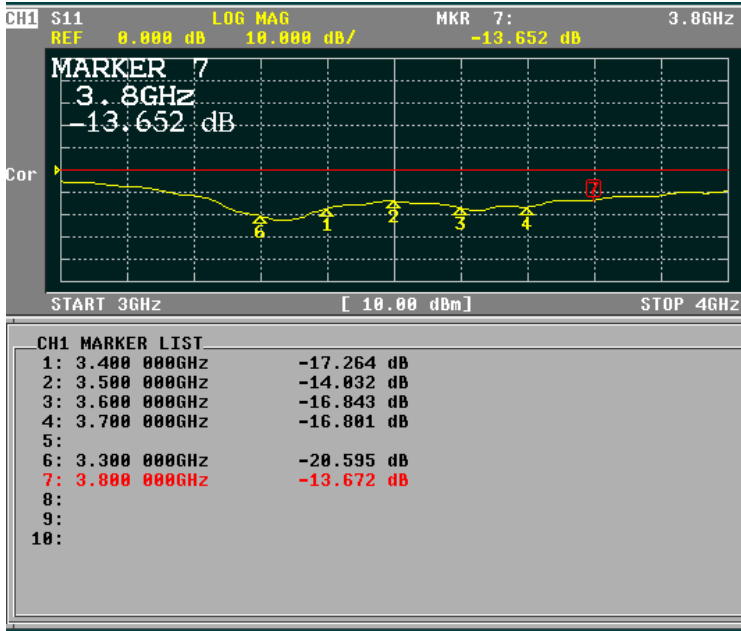
Mechanical Specifications

Length * Width	202*202mm
Diameter	20mm
Weight	350g
Wind Survival	> 120 MPH
Radome Material	ABS + UV resistance
Clamp /Mounting	U-bolt / 32-45mm
Operating Temperature	- 40 to + 80
Down-tilt	“L “ Style 0-30 °
RoHS Compliant	Yes

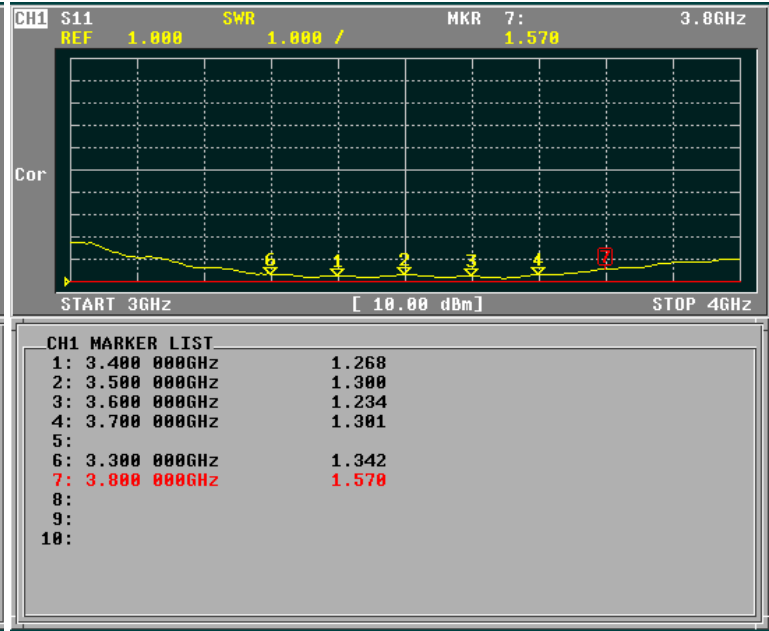
PA-333814 Test Report

3.3 - 3.8 GHz Wide Band Directional 14dBi Panel Antenna

Return loss & V.S.W.R

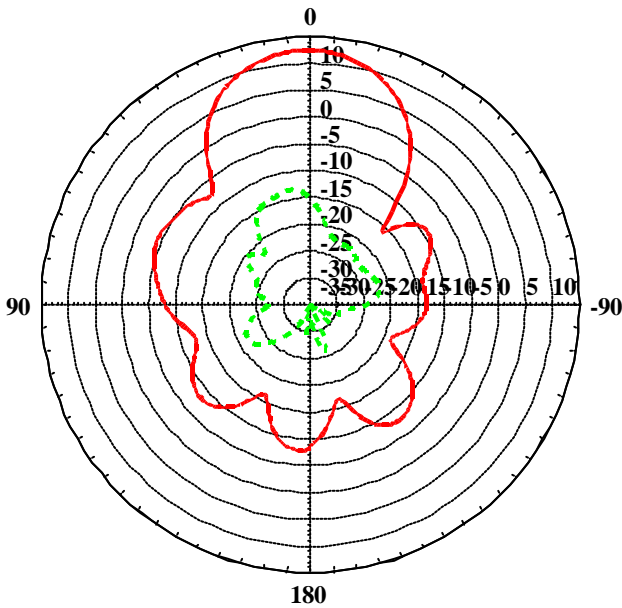


Return loss

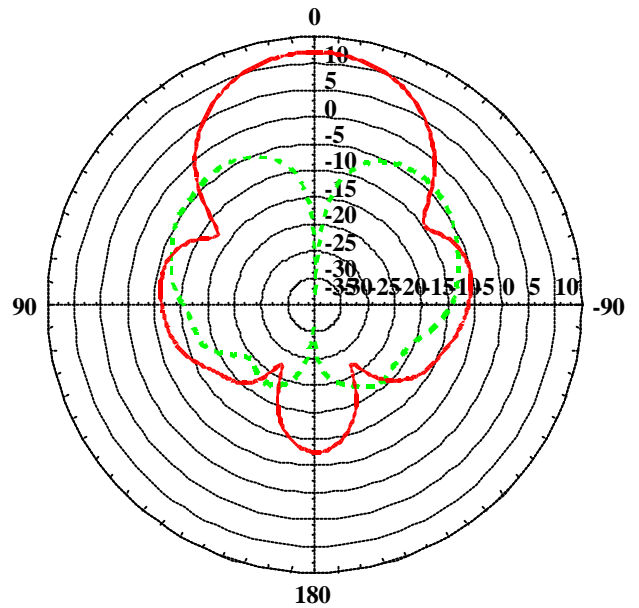


V.S.W.R

Antenna Vertical & Horizontal Pattern



E-plane co-pol ----- 3-dB beam-with=32°

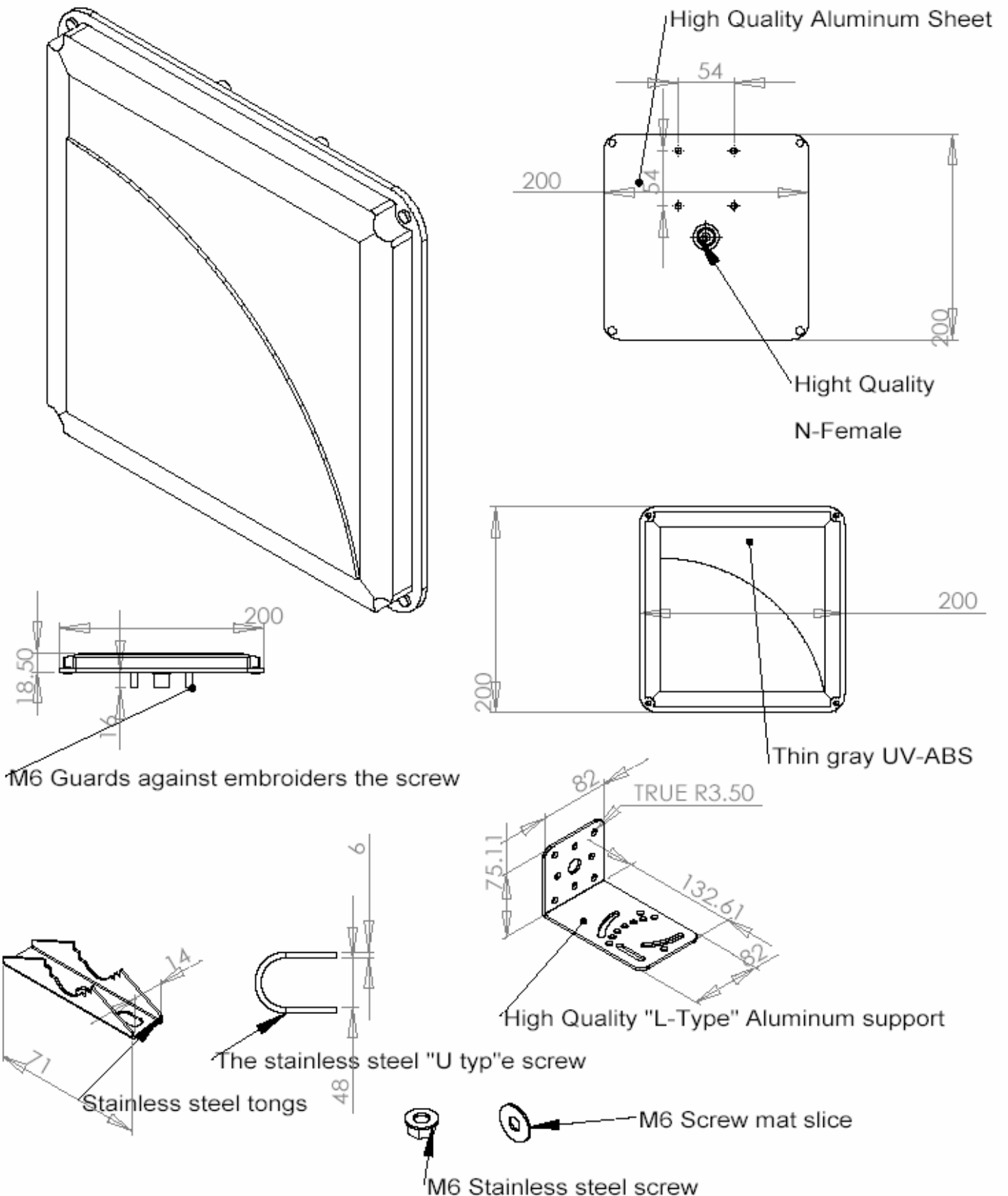


H-plane co-pol ----- 3-dB beam-with=32°



Fei Teng Wireless Technology Corp.
6F.,NO 10-10.Guangming 9st RD.,Jhubei city.
Hsinchu conuntry302,Taiwan

TEL:886-3-5585239
FAX:886-3-5585143
<http://www.ft168.com.tw>
e-mail:ft@ft168.com.tw



Product name	Amount	Remarks
Antenna	1	ABS and Aluminum
"L" type support	1	Aluminum
Tongs	2	Stainless steel
M6 "U" type screw	2	Stainless steel
M6 screw	8	Stainless steel
M6 Screw mat slice	8	Stainless steel

